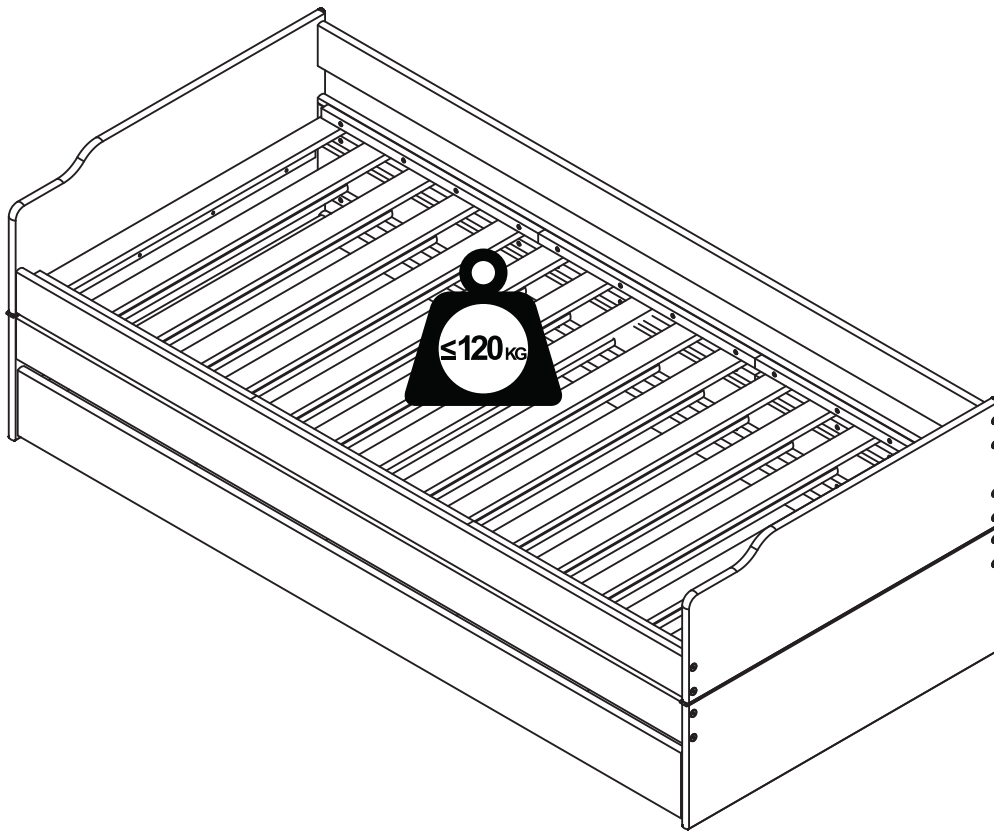
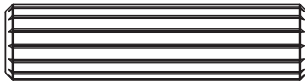
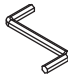
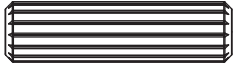
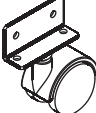
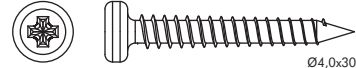

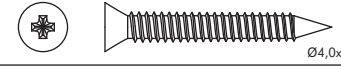

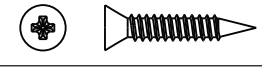
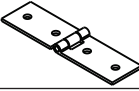
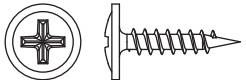

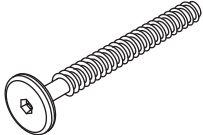
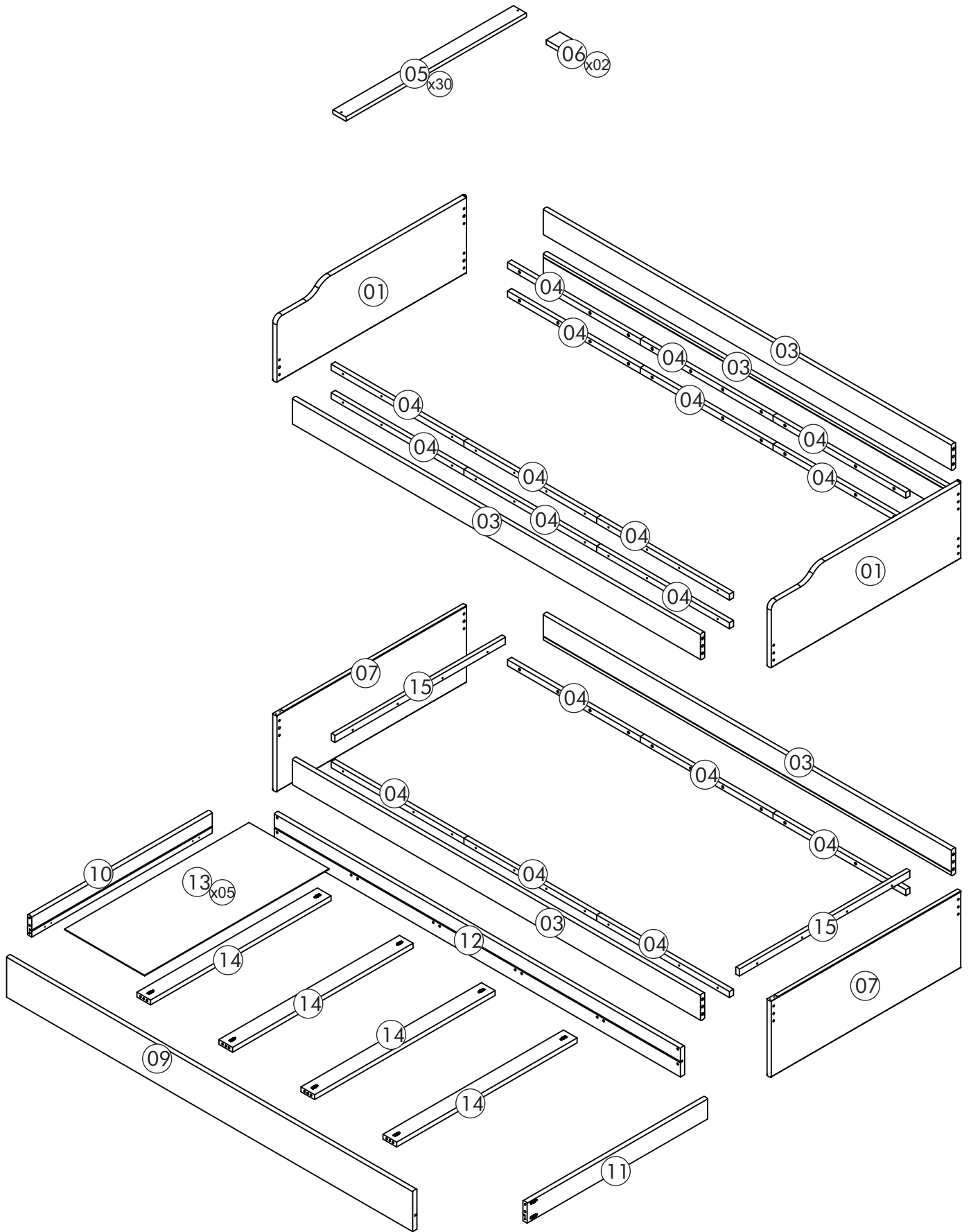


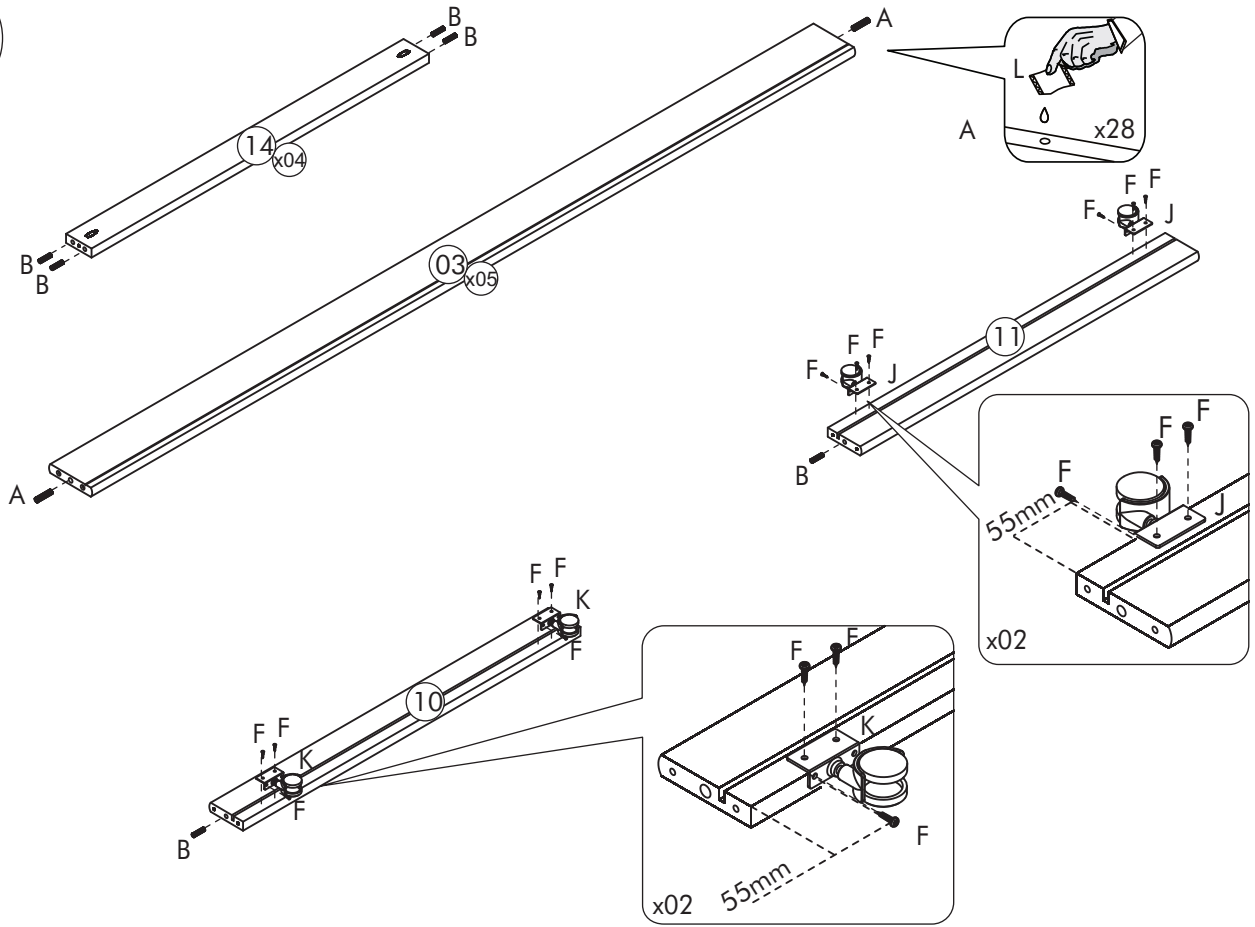
# FLOPY



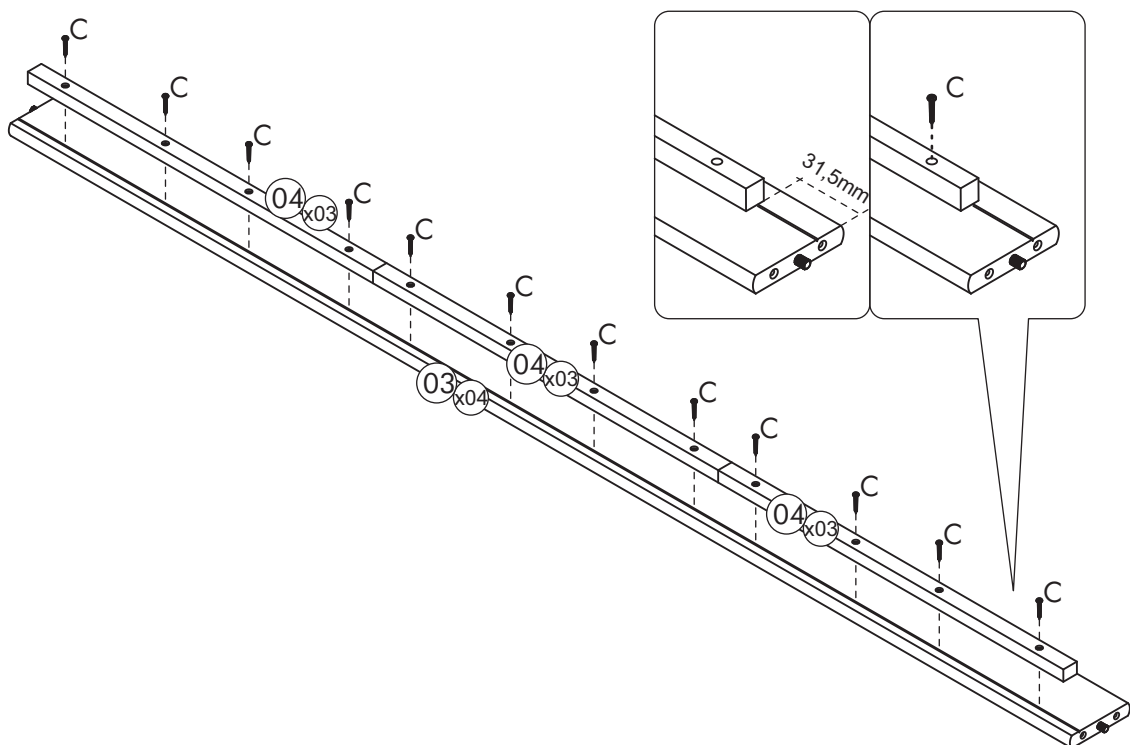
A	 $\varnothing 10 \times 40$ mm	10	I		01
B	 $\varnothing 8 \times 30$ mm	18	J		02
C	 $\varnothing 4,0 \times 30$ mm	84	K		02
D	 $\varnothing 4,0 \times 30$ mm	68	L		01
E	 $\varnothing 3,5 \times 20$ mm	08	M		02
F	 $\varnothing 3,0 \times 16$ mm	32	N	 12 mm	10
H	 $\varnothing 7,0 \times 70$ mm	24			



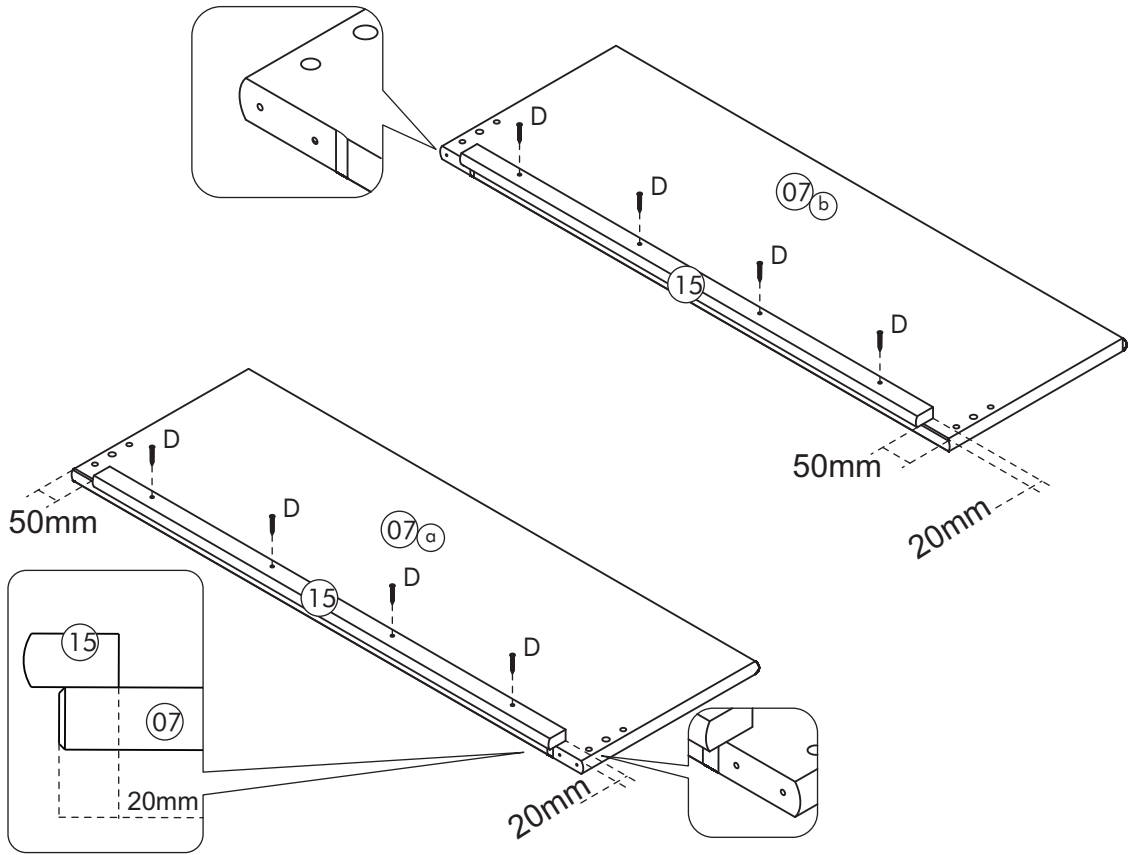
01



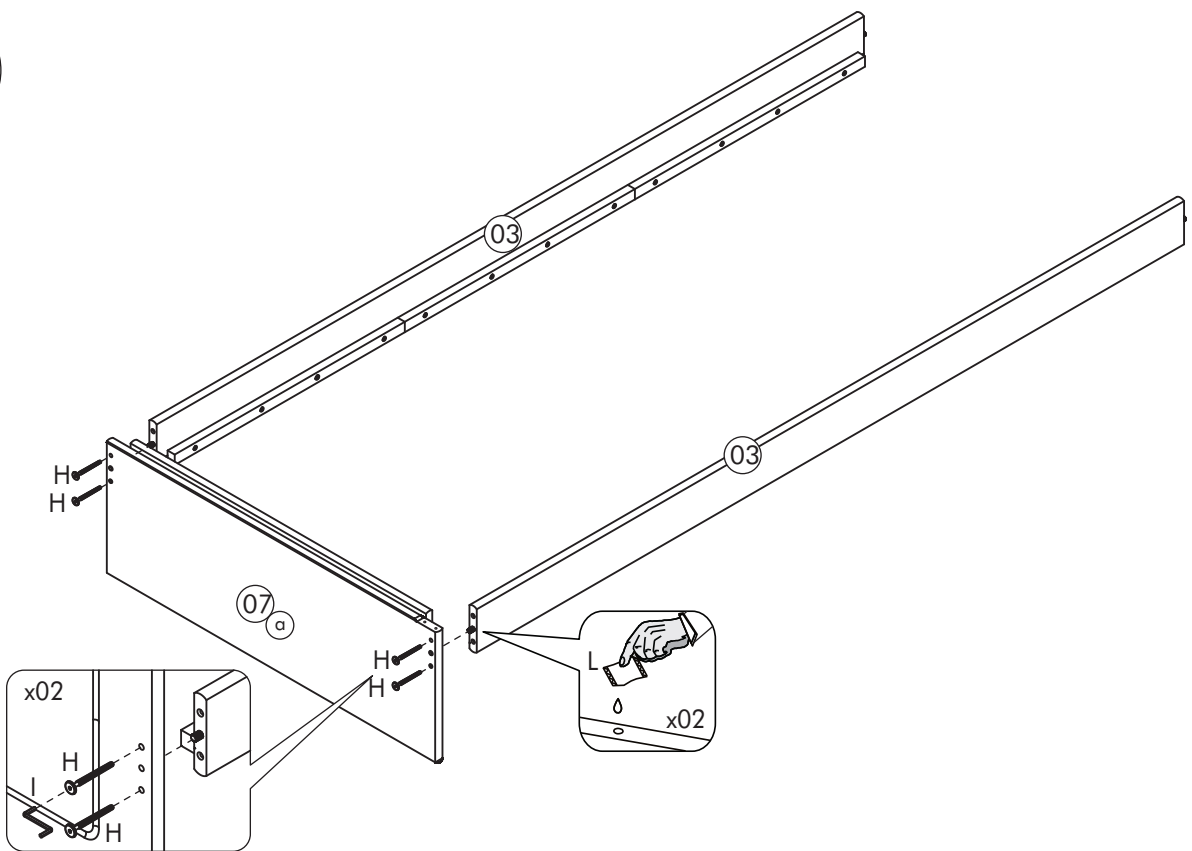
02



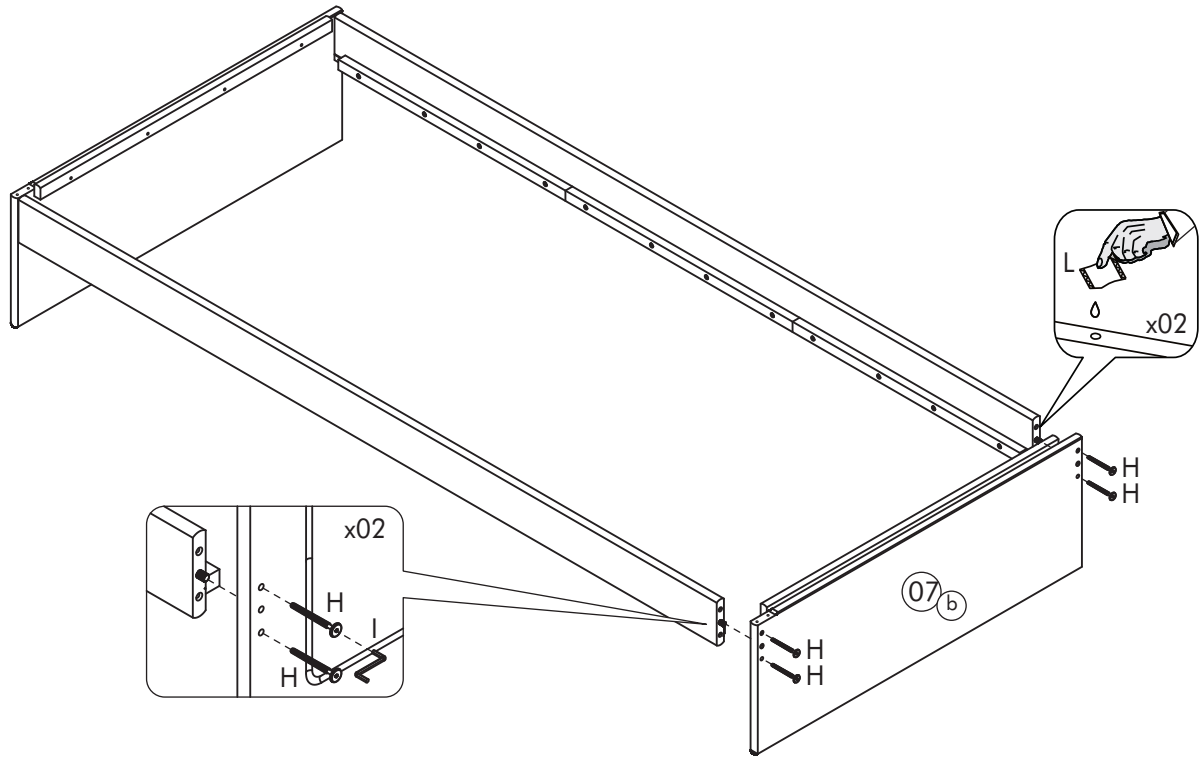
03



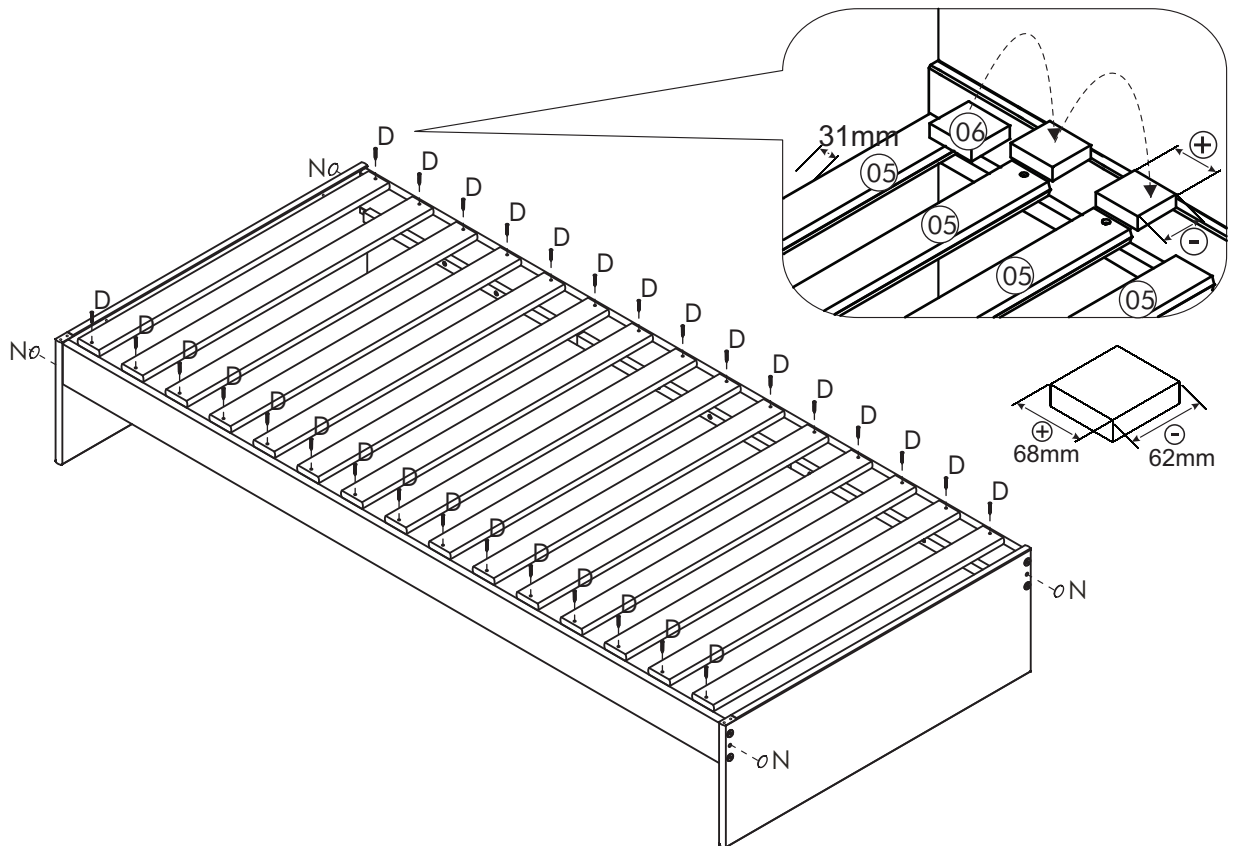
04



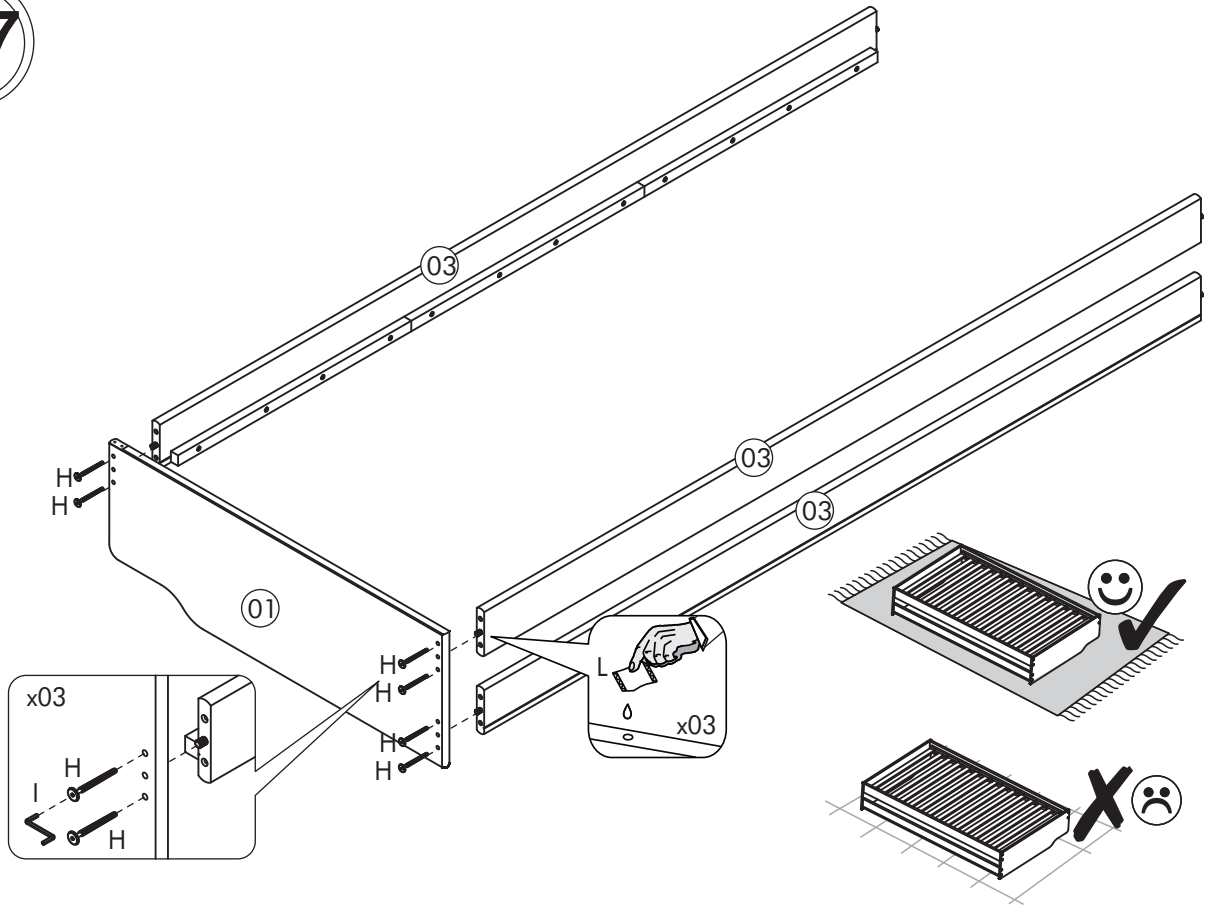
05



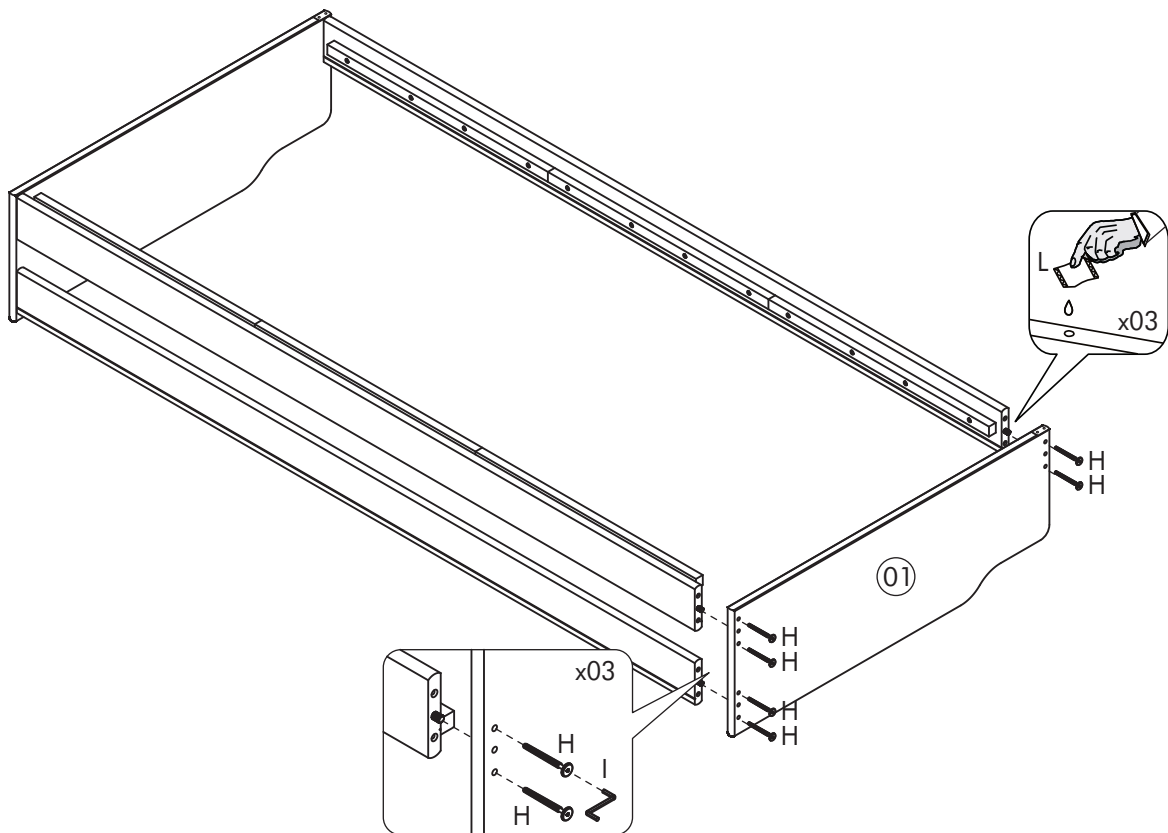
06



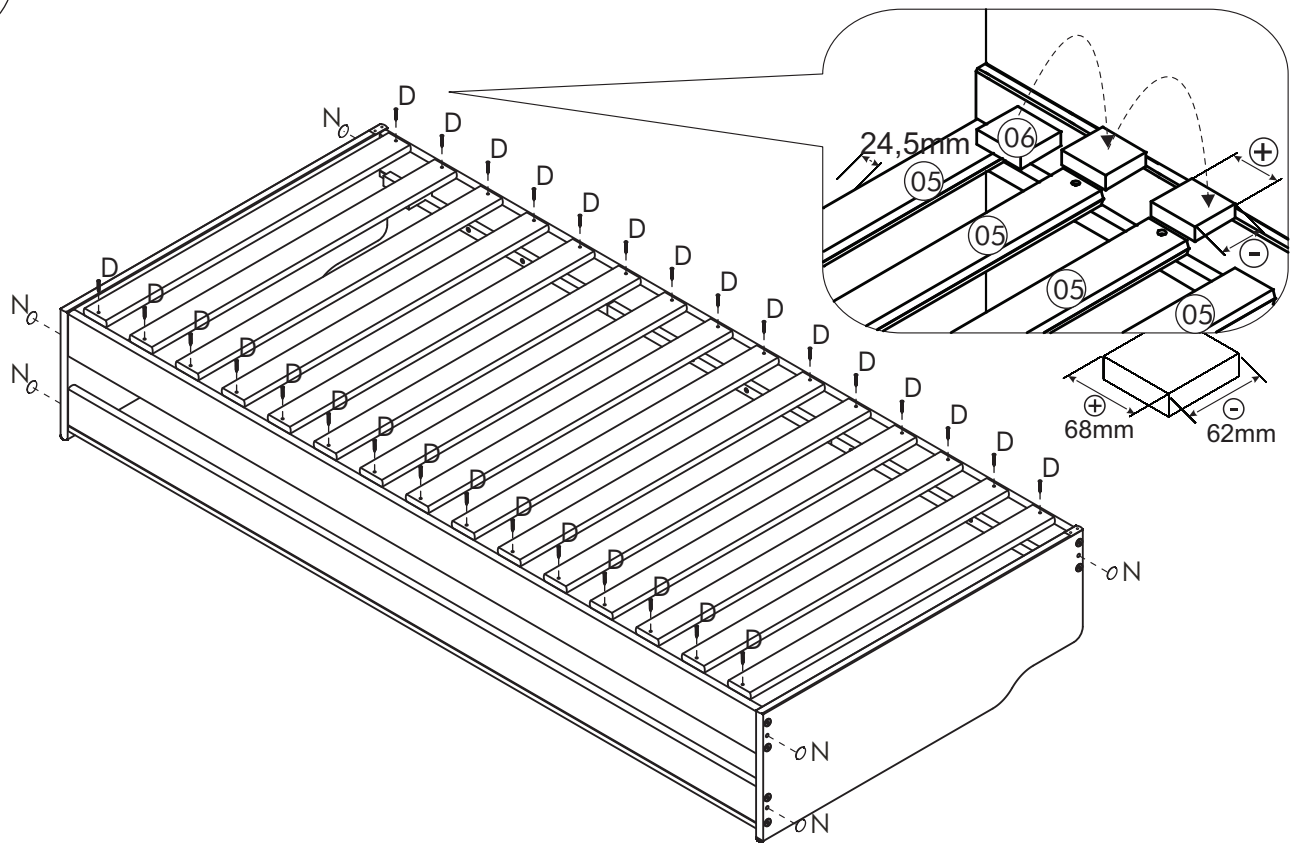
07



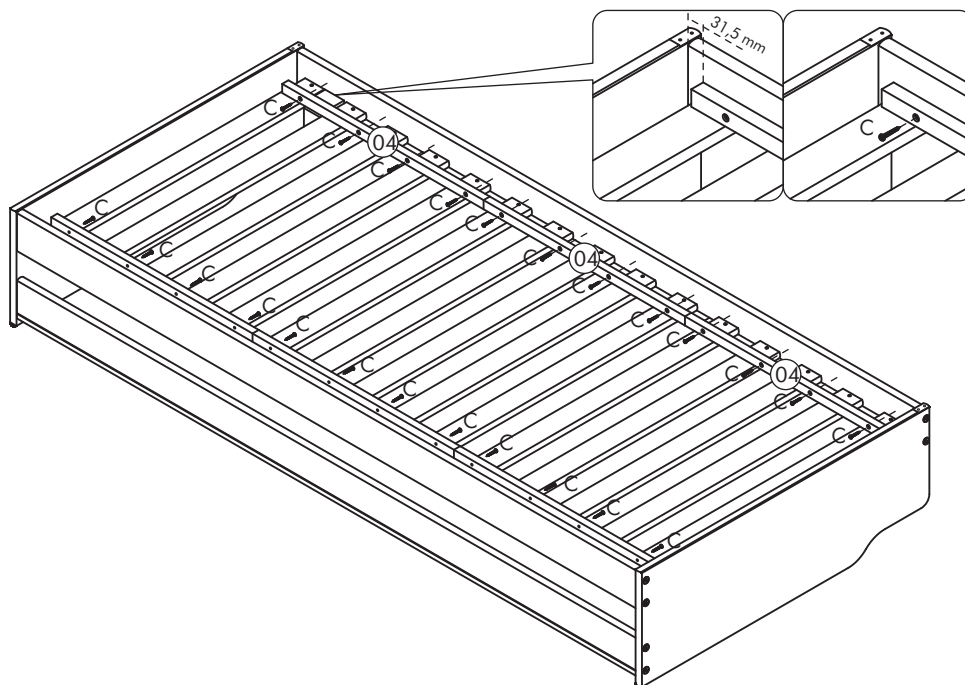
08



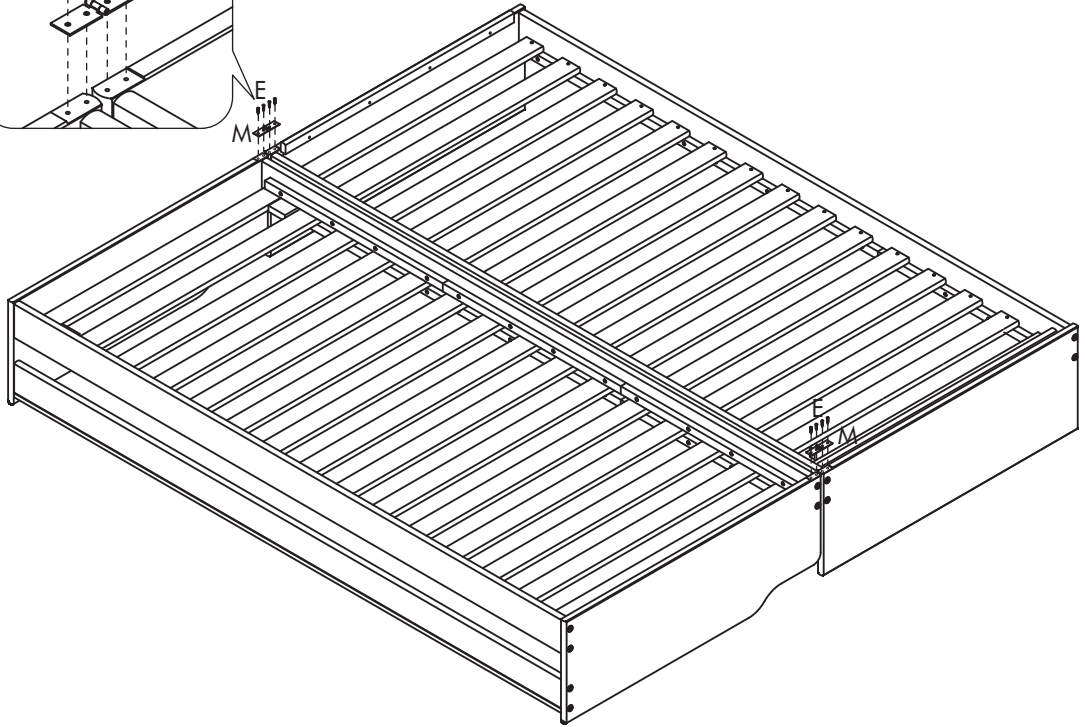
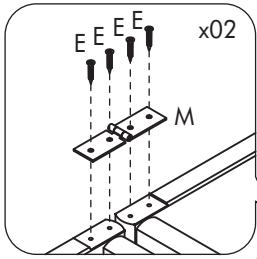
09



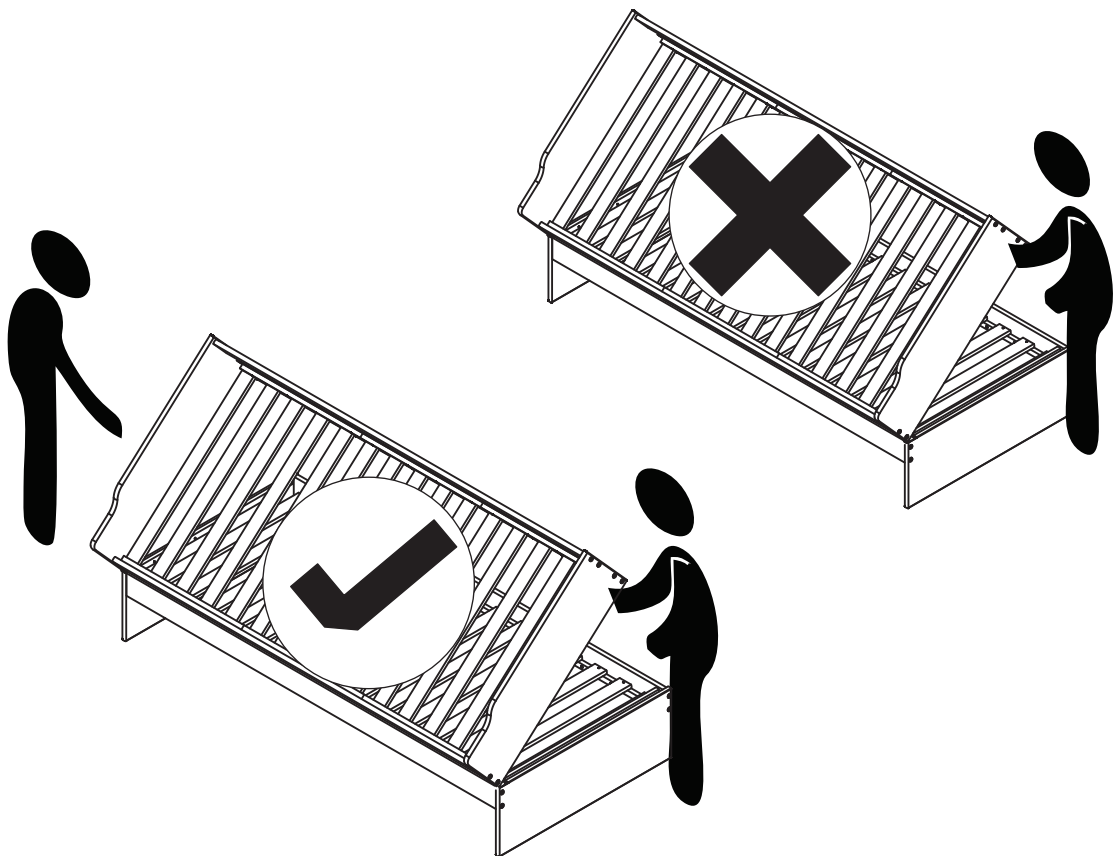
10



11

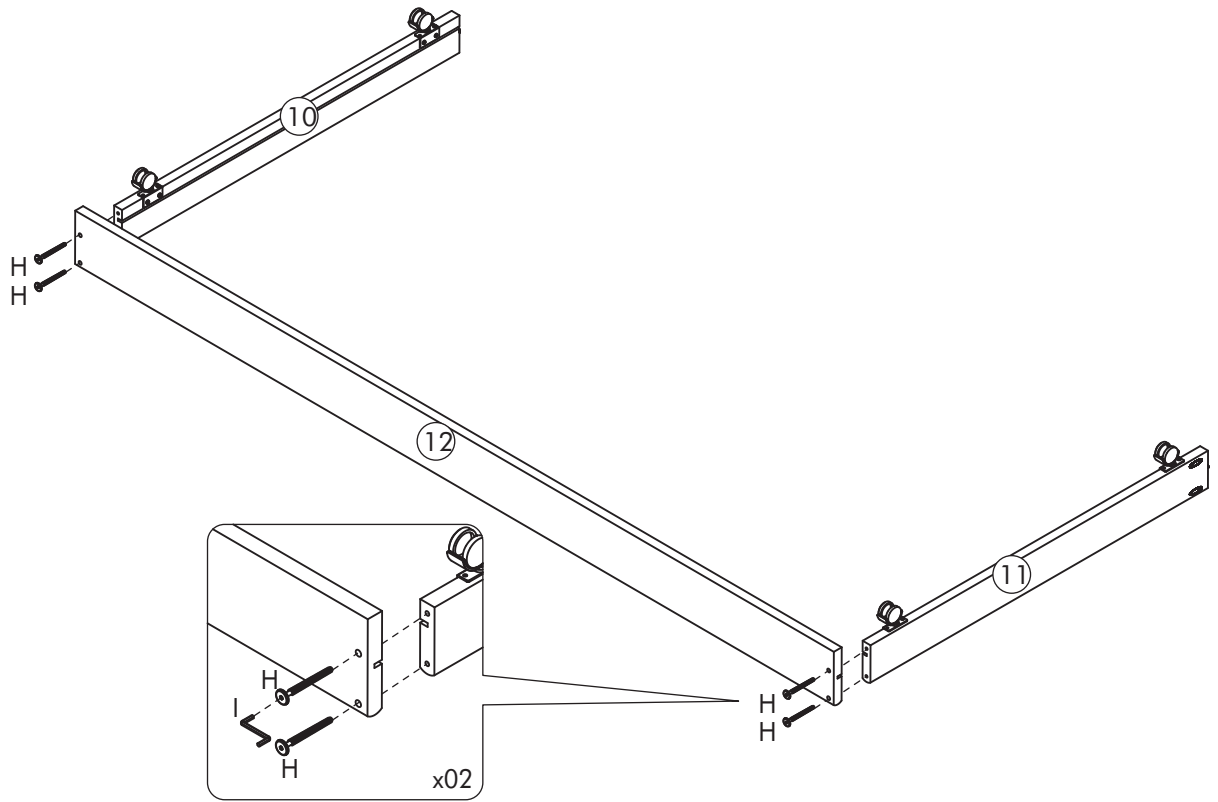


12

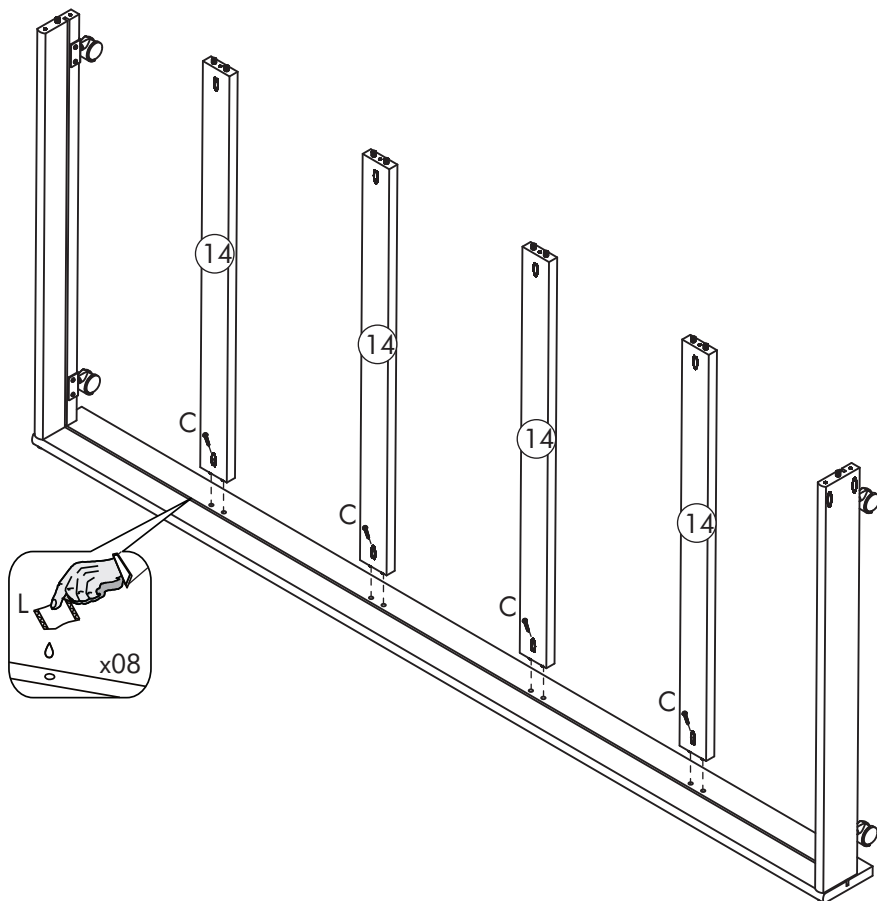




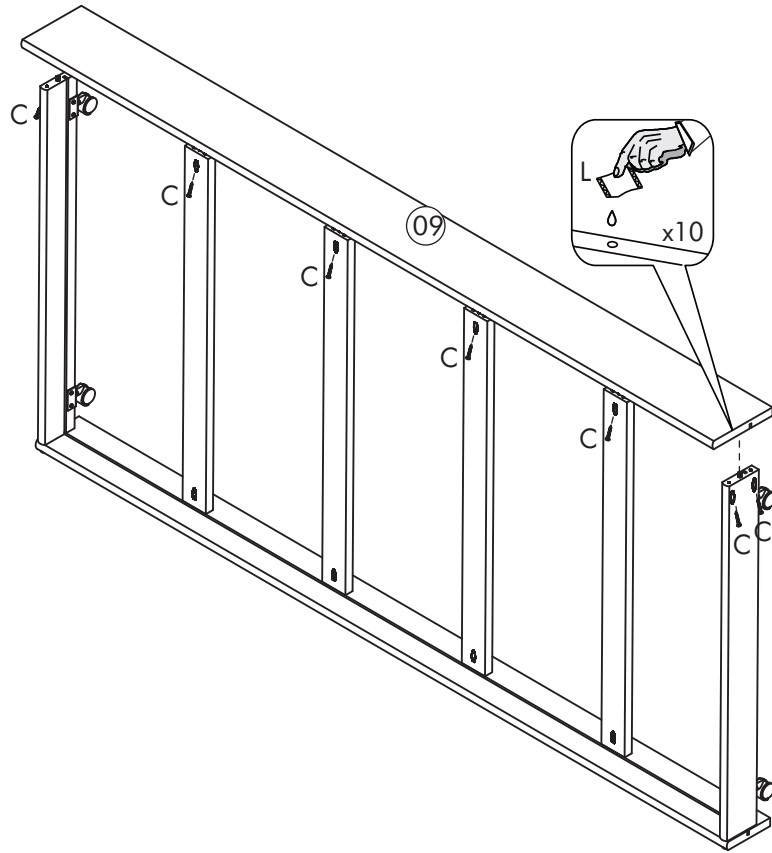
13



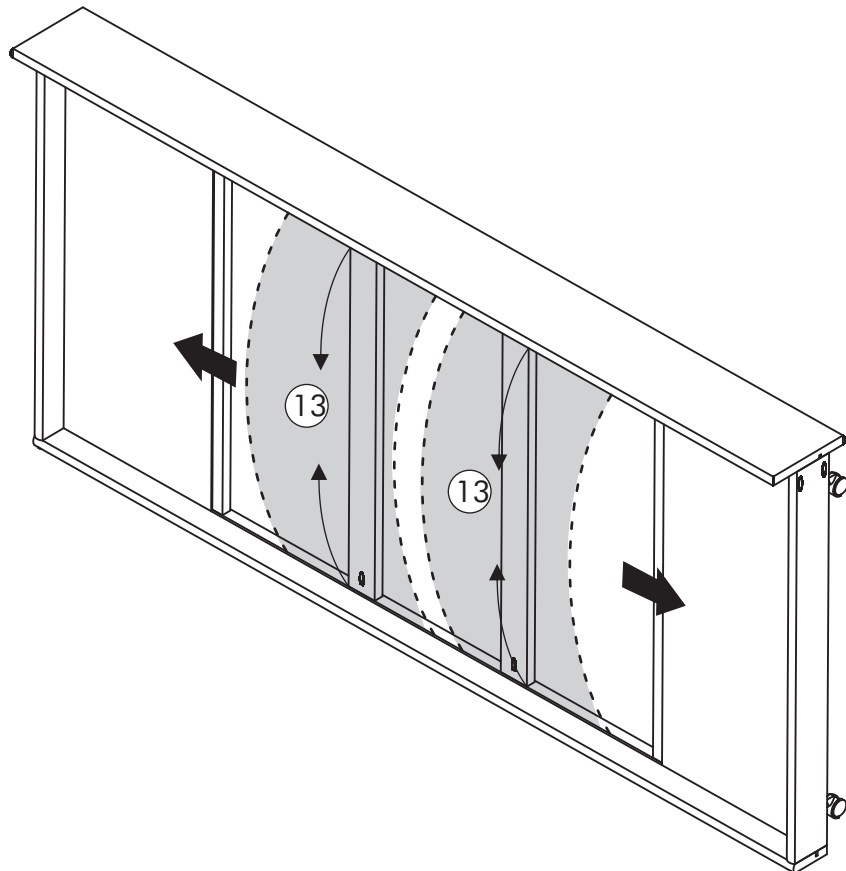
14



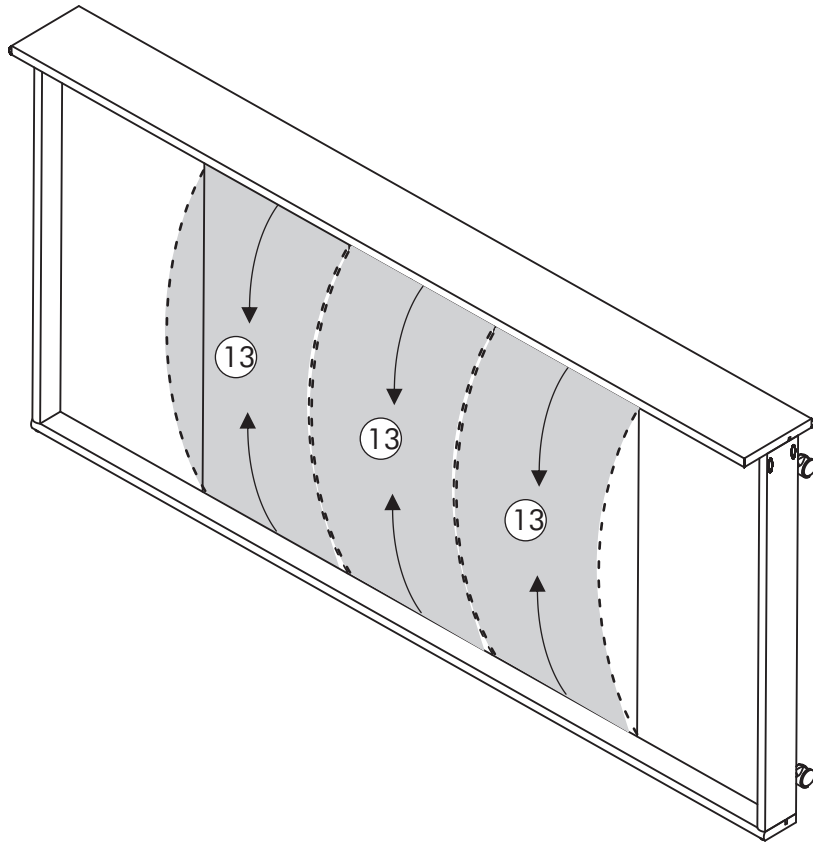
15



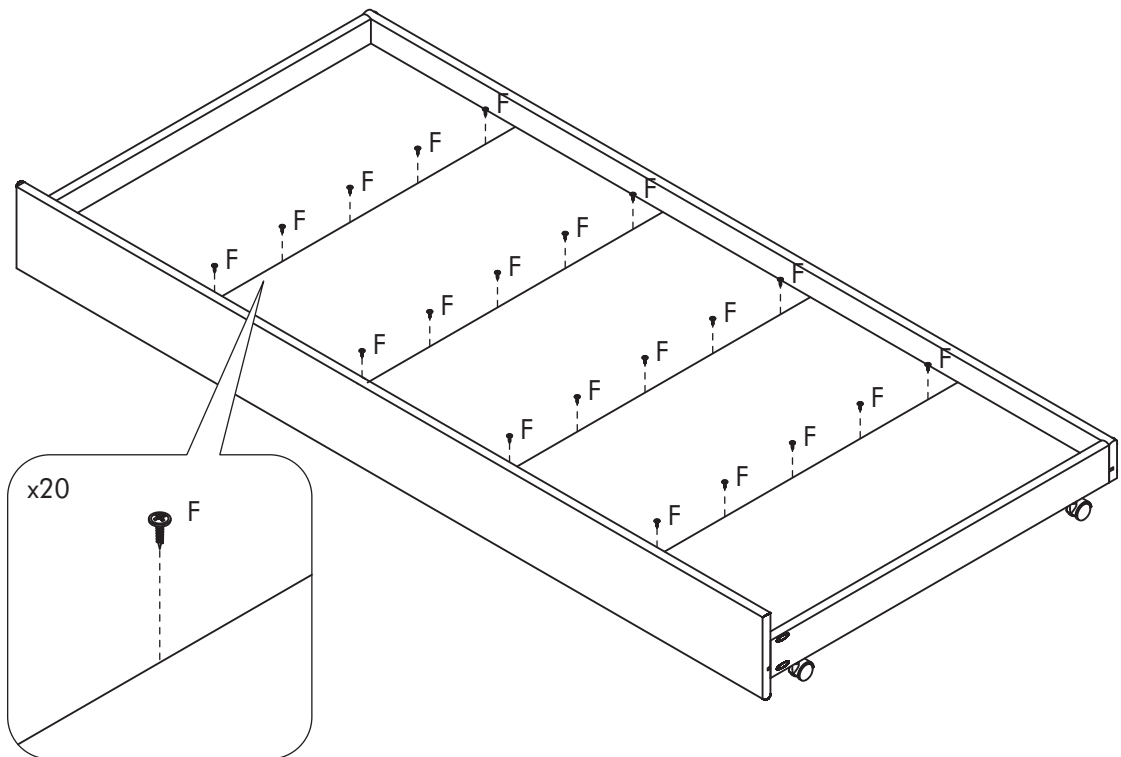
16



17



18



19

